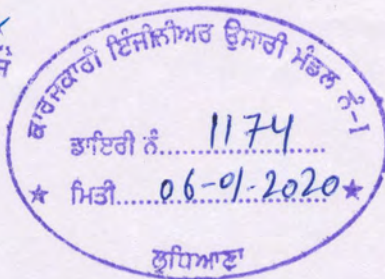


To
Executive Engineer
Construction Division No 1
B & R Ludhiana

ਰਾਜੀ ਭਾਗ
ਸੁਪਰਡੈਂਟ,
ਮੰਡਲ ਲੇਖਾ ਅਫਸਰ
ਮੁੱਖ ਖਰਚਾ ਕਾਰਜ



06-1-2020

Subject :- Expenses for Advertisement for Public Comments on
Setting up of Retail Outlet of Bharat Petroleum
at VPO Jodhan.

Respected Sir,

I Mr. Mohd Chhabra had applied for N.O.C regarding setting
up of Retail Outlet of Bharat Petroleum at V.P.O Jodhan.

Due to certain objections raised by the PWD Construction Dept.
Ludhiana, I had sought some relief in specific norms.
for which PWD department is going to advertise for Public
Comments. I hereby give a chq. of Rs 20000 bearing no.
063535 of ICICI Bank. for bearing expenses relating to
the advertisement.

Thanking You

Mr. Mohd Chhabra

ਸ੍ਰੀ ਮੁਹੰਮਦ ਚੱਬਰਾ
ਮੁੱਖ ਖਰਚਾ ਕਾਰਜ

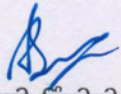
FORM

Form for inviting public comments on the application for relaxation in the guidelines/norms for access permission to fuel station on SH's/MDR's/ Village Link Roads in the State of Punjab.

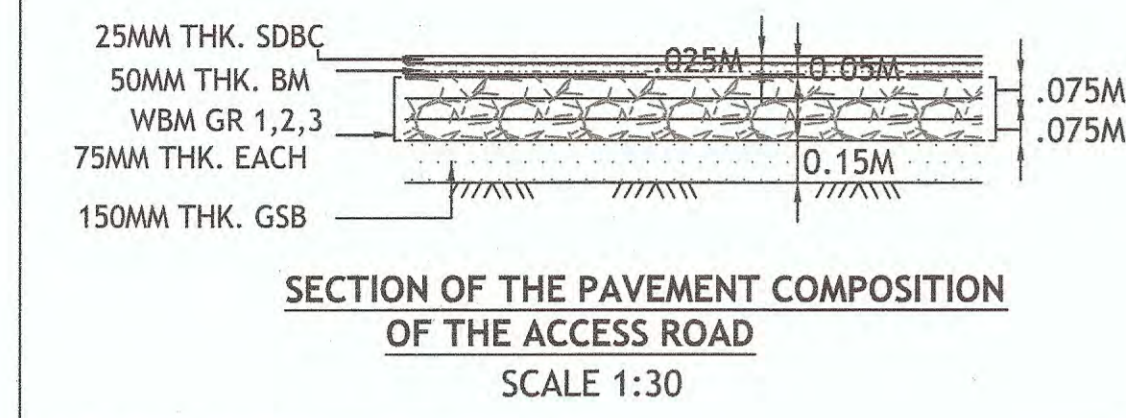
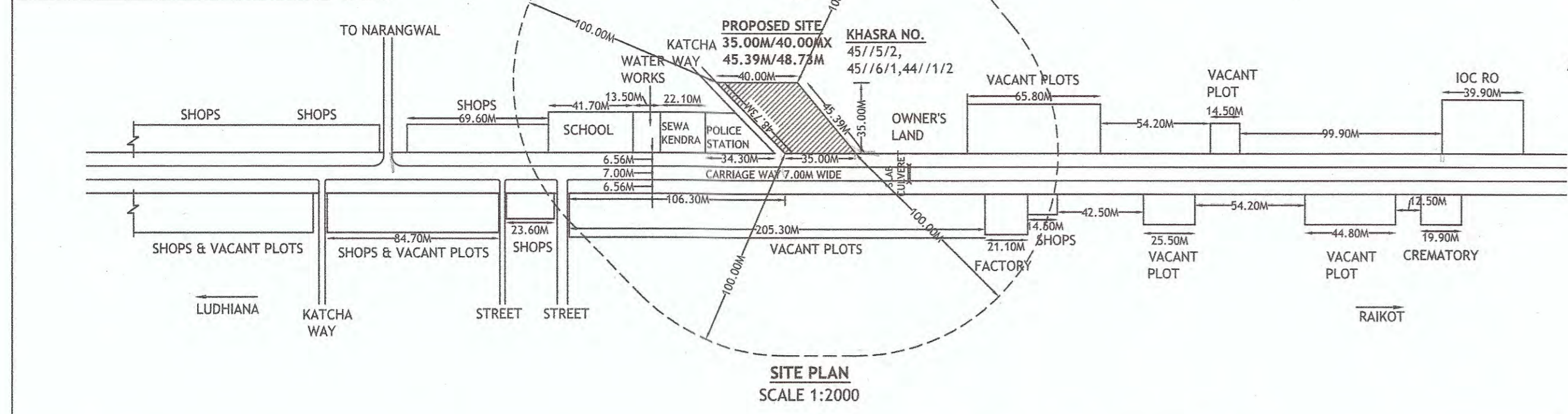
Sr. No.	Item	Details
1.	Name of the person who is desiring to give comments	
2.	Address of the person	
3.	Detail of the application for access permission against which comments are being given (name of applicant and other details like site address etc.) a) Application No. b) Name of applicant (who applied to access permission) c) Details of Application	a) No. Nil Dated 24.12.2019 b) Mridul Chhabra c) MS/HSD Retail Out let Dealership of Bharat Petroleum Corporation Ltd. (Rural) at Location :Village Jodhan, Tehsil Ludhiana West, on Ludhiana-Pakhowal road RD-15.30 Km. (Left Side), Near : Police Station.
4.	Whether the specific permission, if given, shall cause any damage to Highways? If yes, please give details.	
5.	Whether specific permission, if given, shall adversely affect safety and convenience of the traffic on the Highways? If yes, please give the details.	
6.	Whether specific permission, if given, shall adversely affect hygiene or cause nuisance and pollution on the Highways? If yes, please give the details.	

ਜਨਤਕ ਨੋਟਿਸ

ਆਮ ਜਨਤਾ ਨੂੰ ਸੂਚਿਤ ਕੀਤਾ ਜਾਂਦਾ ਹੈ ਕਿ ਲੁਧਿਆਣਾ-ਪੱਖੋਵਾਲ ਰੋਡ ਉੱਪਰ ਪਿੰਡ ਜੇਥਾਂ ਵਿਖੇ ਖੱਬੇ ਪਾਸੇ ਪੁਲਿਸ ਸਟੇਸ਼ਨ ਜੇਥਾਂ ਦੇ ਨਜ਼ਦੀਕ ਭਾਰਤ ਪੈਟਰੋਲੀਅਮ ਕਾਰਪੋਰੇਸ਼ਨ ਲਿਮਿਟਡ ਵੱਲੋਂ ਇੱਕ ਪੈਟਰੋਲ ਪੰਪ ਲਗਾਇਆ ਜਾਣਾ ਹੈ। ਪ੍ਰਾਰਥੀ ਸ੍ਰੀ ਮਰੀਦੁਲ ਛਾਬੜਾ ਵੱਲੋਂ ਪੰਜਾਬ ਸਰਕਾਰ ਦੇ ਨੋਟੀਫਿਕੇਸ਼ਨ ਨੰ: 12/23/2019-3BR3/1402253 ਮਿਤੀ 21.01.2019 ਰਾਹੀਂ ਪੈਟਰੋਲ ਪੰਪ ਲਗਾਉਣ ਲਈ ਜਾਰੀ ਕੀਤੀਆਂ ਗਾਈਡਲਾਈਨਾਂ/ਨਾਰਮਜ਼ ਵਿੱਚ ਰਿਲੈਕਸੇਸ਼ਨ ਲੈਣ ਲਈ ਬਿਨੈ-ਪੱਤਰ ਦਿੱਤਾ ਹੈ। ਇਸ ਸਬੰਧੀ ਜੇਕਰ ਕਿਸੇ ਨੂੰ ਕੋਈ ਇਤਰਾਜ਼ ਹੈ ਤਾਂ ਉਹ ਆਪਣਾ ਇਤਰਾਜ਼ ਤਜਵੀਜ਼ਤ ਫਾਰਮ ਉੱਪਰ ਇਸ ਨੋਟਿਸ ਦੇ ਜਾਰੀ ਹੋਣ ਤੋਂ 45 ਦਿਨ ਦੇ ਵਿੱਚ-ਵਿੱਚ ਕਾਰਜਕਾਰੀ ਇੰਜੀਨੀਅਰ, ਉਸਾਰੀ ਮੰਡਲ ਨੰ:1, ਲੁਧਿਆਣਾ ਜਾਂ ਉਪ ਮੰਡਲ ਇੰਜੀਨੀਅਰ ਉਸਾਰੀ ਉਪ ਮੰਡਲ ਨੰ:2 ਲੁਧਿਆਣਾ ਨੂੰ ਭੇਜ ਸਕਦਾ ਹੈ। ਇਹ ਨੋਟਿਸ ਅਤੇ ਤਜਵੀਜ਼ਤ ਫਾਰਮ ਵਿਭਾਗ ਦੀ ਸਾਇਟ <http://www.pwdpunjab.gov.in> ਉੱਪਰ ਉਪਲੱਬਧ ਹੈ।


ਕਾਰਜਕਾਰੀ ਇੰਜੀਨੀਅਰ,
ਉਸਾਰੀ ਮੰਡਲ ਨੰ.1
ਲੇ.ਨਿ.ਵਿ(ਭ ਤੇ ਮ) ਸ਼ਾਖਾ ਲੁਧਿਆਣਾ

VILLAGE	JODHAN
KHASRA NO.	45/15/2,45/16/1,44/1/2
NEAREST POLICE STATION	JODHAN
NEAREST RAILWAY STATION	KILA RAIPUR
TEHSIL	LUDHIANA
DISTT.	LUDHIANA
STATE	PUNJAB



LIST OF AUTOMATION EQUIPMENT	
ATG	AUTOMATIC TANK GAUGE
FCC	FORE COURT CONTROLLER

AUTOMATION APPROVED BY CCOE NAGPUR VIDE HIS LETTER NO. P.6 (3) 68/1 DATED 08-04-2013
 ALL TANKS ARE FITTED WITH 0.75H.P.S.T.P. (SUMERSIBLE TURBINE PUMP) WITH FLAME PROOF ELECTRICAL CONNECTION AS PER CCOE APPROVAL R.1(1) 136/DOLPHIN/384/II DT. 17-11-2004

Sr.No.	TYPE	NOS.	PRODUCT	CAPACITY	DIA Ø	LENGTH
1	MPD 2X4X2 MS/HSD	1	MS	20KL	2.01Ø	6.75M
2	MPD 2X4X2 MS/HSD	2	HSD	20KL	2.01Ø	6.75M

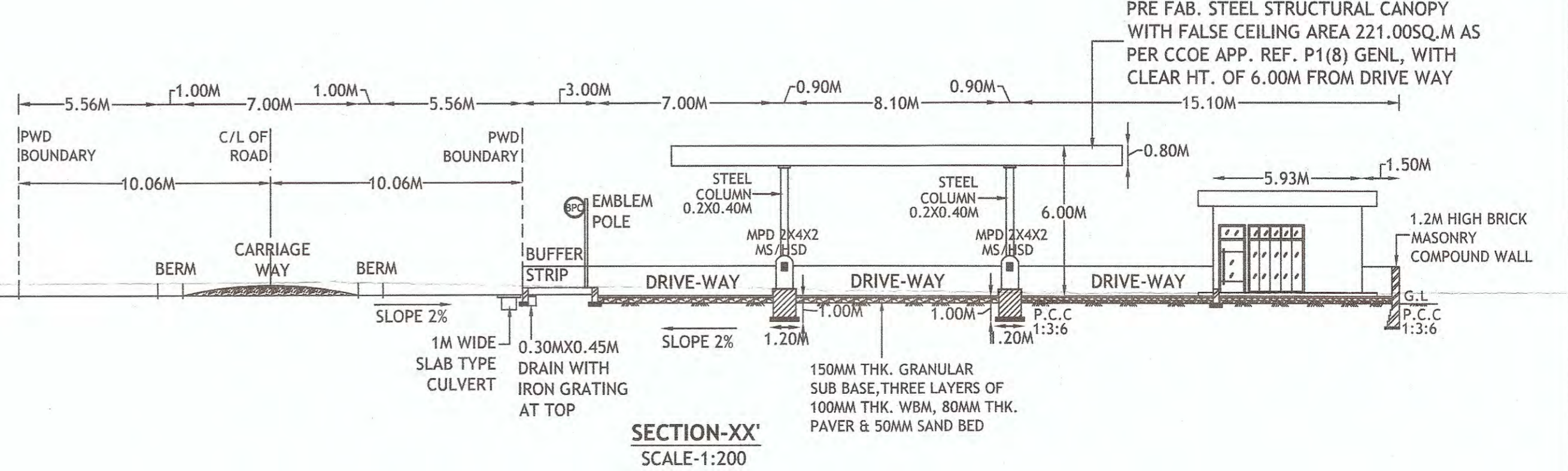
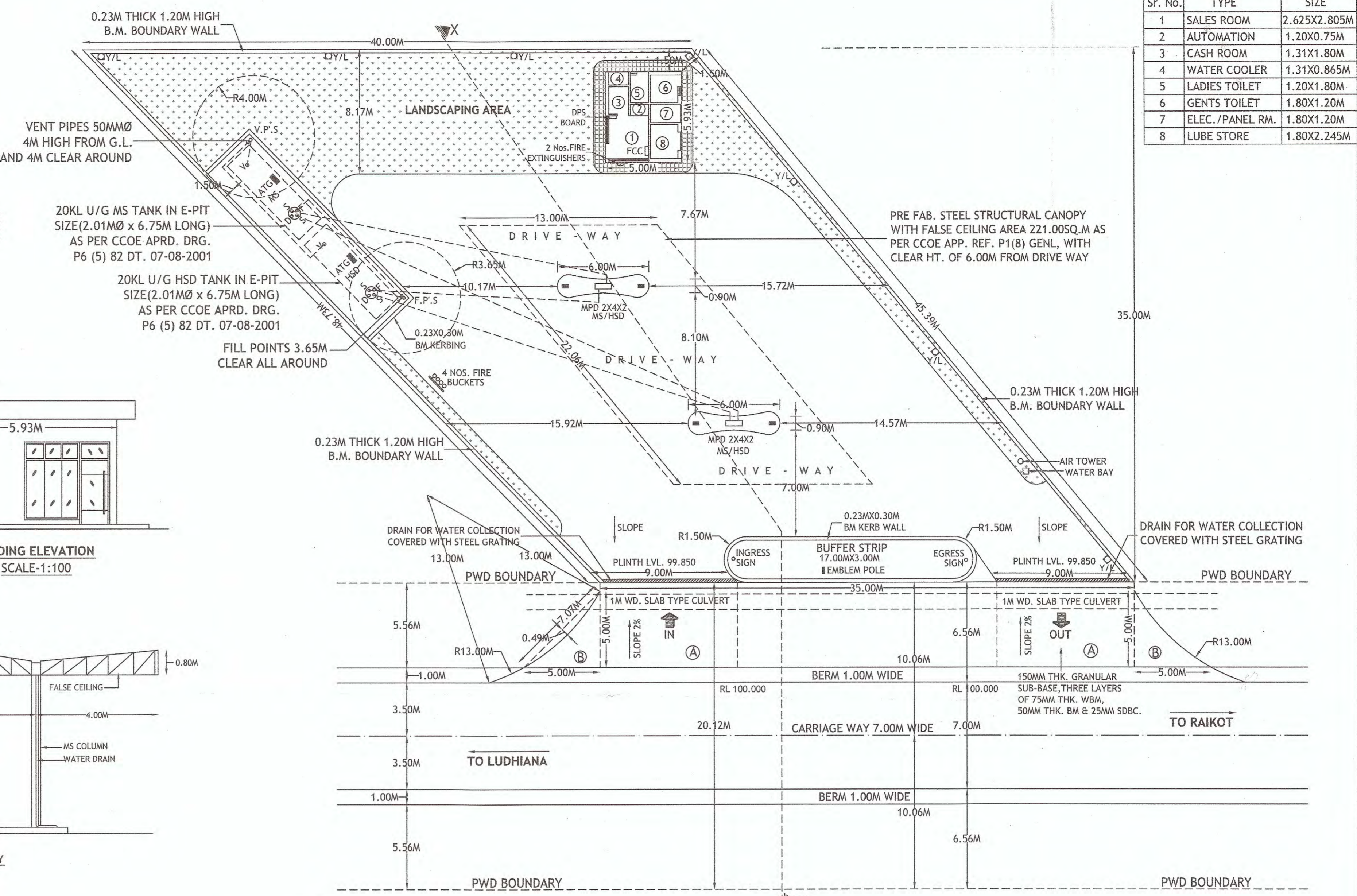
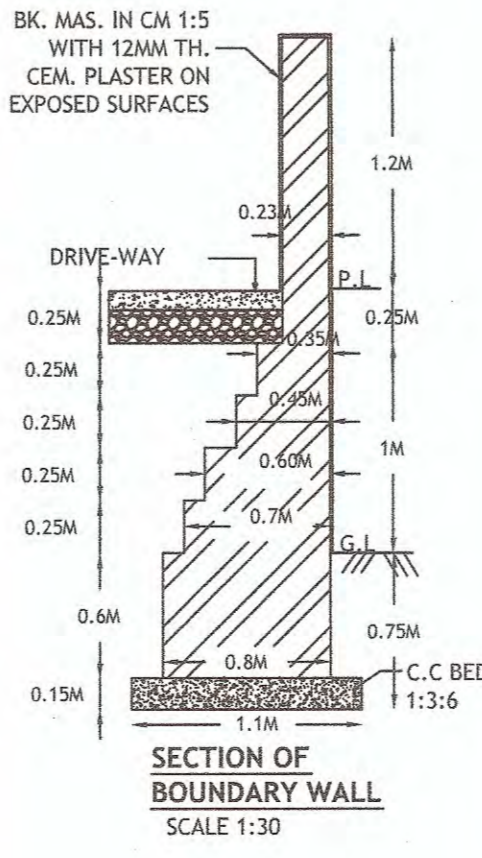
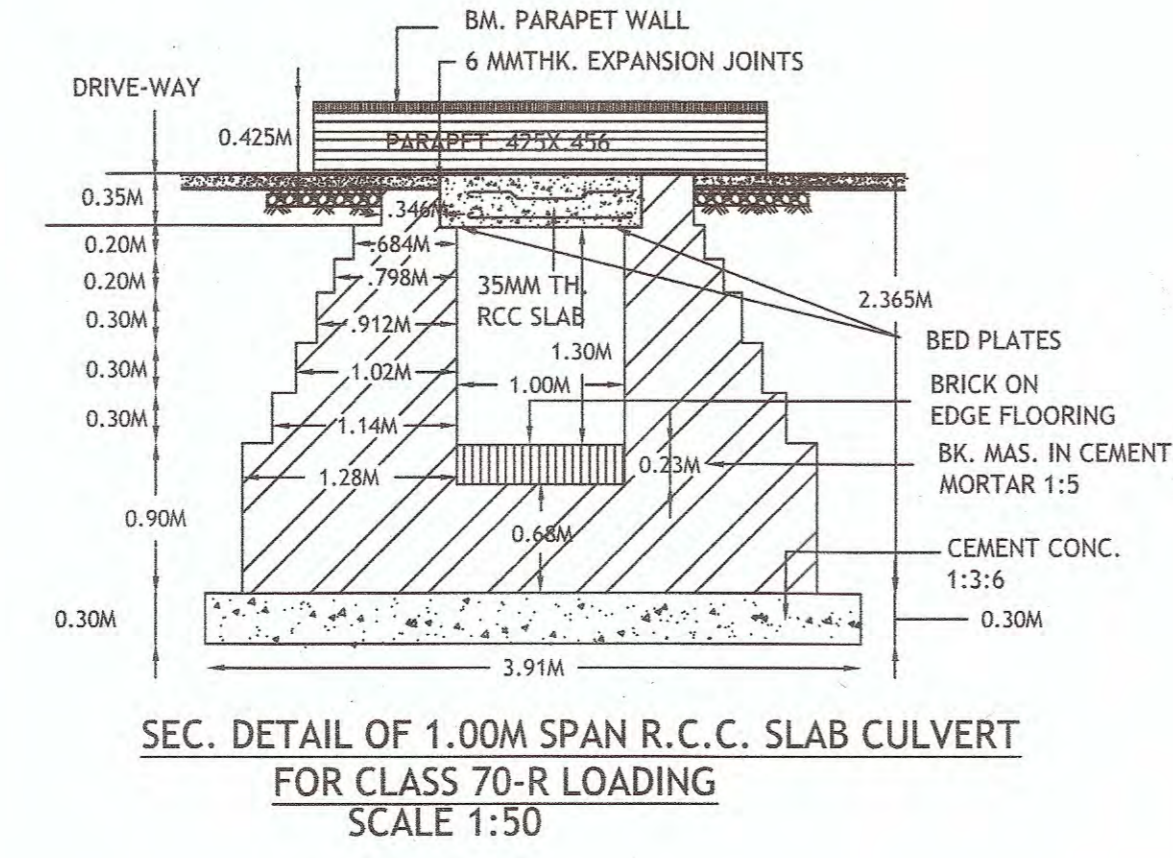
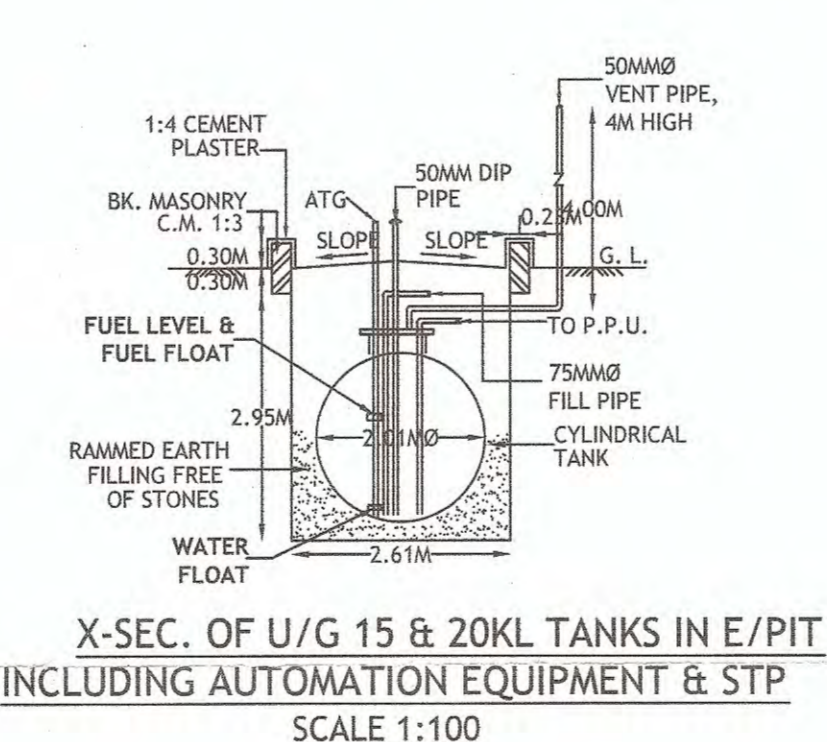
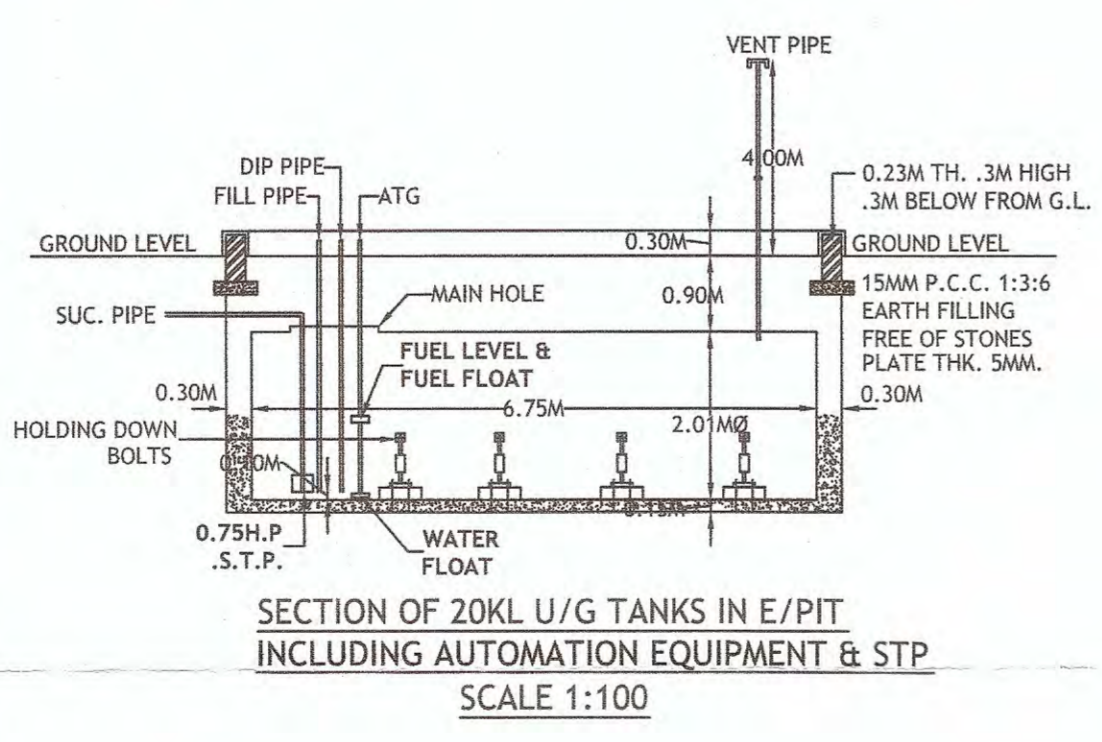
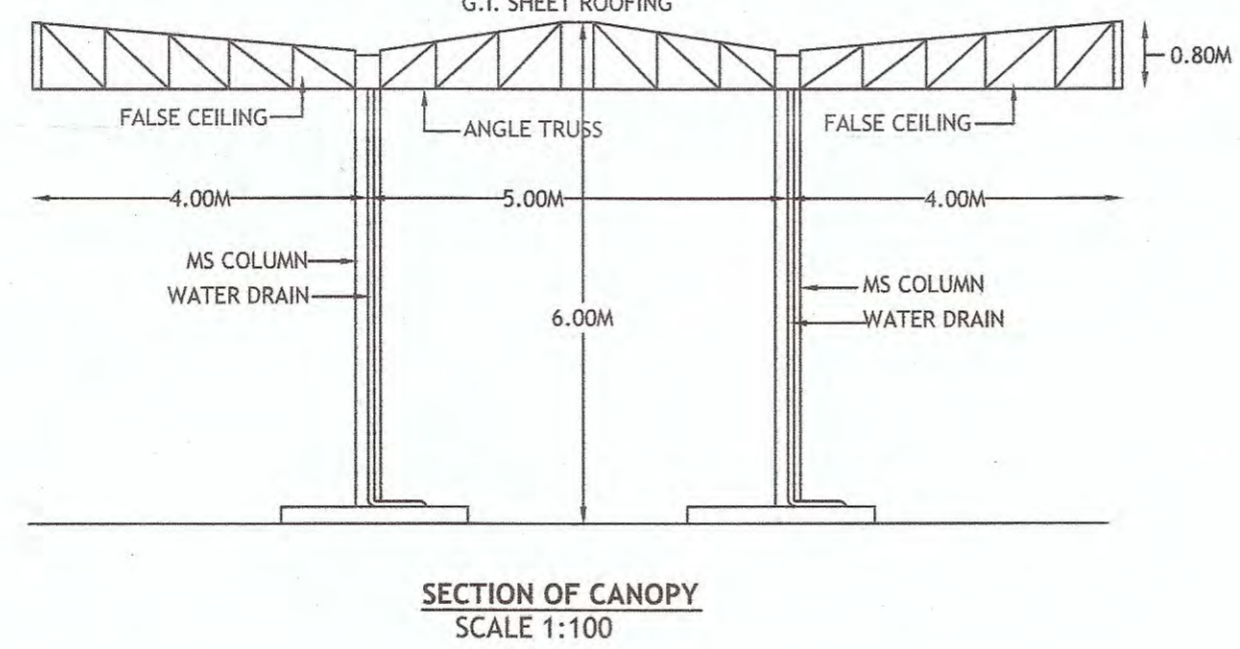
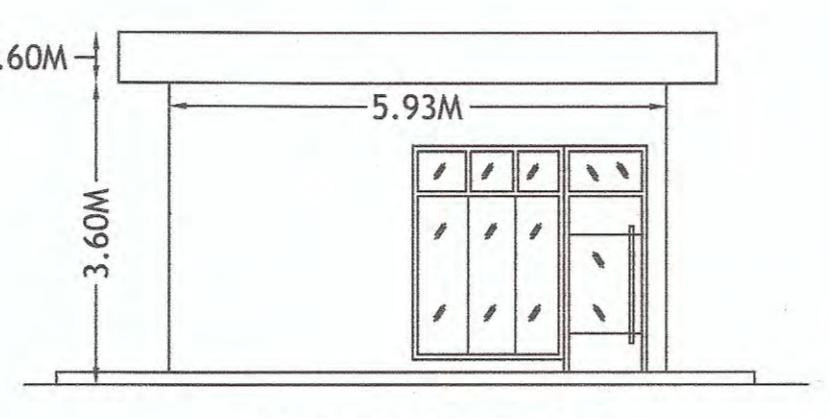
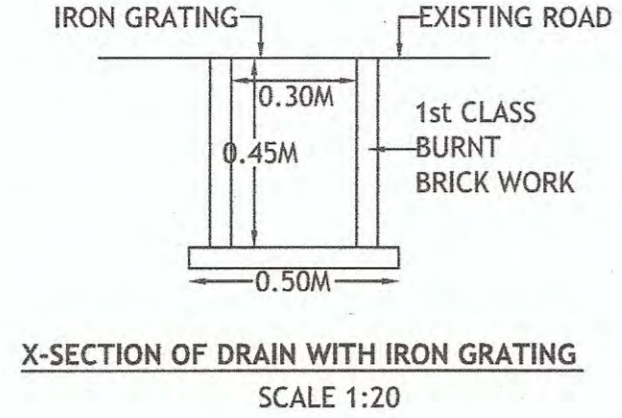
- NOTES**
- CERTIFIED THAT NO OTHER STRUCTURE WILL BE ERECTED FOR ANY OTHER SERVICES RENDERED EXCEPT THAT CONNECTED WITH THE PETROL PUMP WITHOUT THE PRIOR APPROVAL OF P.W.D.
 - CERTIFIED THAT THERE IS NO ROAD CROSSING WITHIN 100M BETWEEN THE TANGENT POINT OF THE CURVES OR THE SIDE ROAD & THAT OF THE FUEL-FILLING PUMP.
 - CERTIFIED THAT ALL THE STANDARD CONDITIONS HAVE BEEN SATISFIED.
 - CERTIFIED THAT THE BERM PORTION IS NOT INCLUDED IN THE AREA OF THE LAND TO BE LEASED FROM P.W.D FOR APPROCH ROAD BUT IT IS TO BE METALLED.
 - CERTIFIED THAT THERE IS NO OBJECTION FROM ROAD POINT OF VIEW FOR INSTALLATION OF THIS FUELING PUMP. THE PROPOSAL WILL NOT EFFECT FUTURE IMPROVEMENT OF THIS ROAD.
 - CERTIFIED THAT ALL CONDITIONS LAID DOWN BY GOVT. OF INDIA AND THE IRC FROM TIME TO TIME WITH REGARD TO THE LOCATION OF THE ROAD SIDE FUEL-FILLING STATION HAVE BEEN COMPLIED WITH.

- NO DRAIN,SEWER OR STRUCTURE TO EXIST WITH IN 1.5M FROM U/G TANKS.
- SUCTION PIPES UNDER DRIVE-WAY TO BE HOUSED IN PIPE/SLEEVES.
- ELECTRIC FITTINGS TO CONFORM TO I.S.S NO. 2148 FOR DISPENSING PUMPS ONLY.
- 50 MM. VENT PIPE, 4M HIGH FROM G.L. & 4M CLEAR AROUND THE OPEN END OF PIPE TO BE COVERED WITH TWO LAYERS OF NON CORRODIBLE METAL WIRE GAUGE OF II MESH PER LINEAR CM.
- D.P.S. BOARD TO BE FIXED 1.5M ABOVE FROM G.L. & WILL BE KEPT UNDER LOCK & KEY.
- TANKS TO BE FED BY TANK LORRY ONLY.
- CERTIFIED THAT THE DRAINS PROVIDED IN THE PLAN ARE SUFFICIENT FOR DRAIN OF WATER.
- NO STRUCTURE OR HOARDING EXCEPT APPROVED STANDARD IDENTIFICATION SIGN ON POLES PROVIDING A CLEARANCE OF ATLEAST 3M. ABOVE GROUND LEVEL WOULD BE ERECTED ON BUFFER STRIP.

- NO HEDGES AND PLANTS MORE THAN 0.6M HIGH SHALL BE GROWN AROUND THE BUFFER STRIP.
- THERE SHALL BE SUFFICIENT STANDING SPACE INSIDE THE STN. FOR VEHICLES TO WAIT FOR THEIR TURN.
- 'IN' AND 'OUT' SIGN SHALL BE PUT UP TO GUIDE VEHICLES DURING THE DAY AND SHALL BE PROPERLY LIT UP TO GUIDE THEM AT NIGHT.
- ALL THE STRUCTURE (IF ANY ON GOVT. LAND) SHALL BE TEMPORARY.
- 'NO SMOKING' SIGN, FIRE EXTINGUISHERS & FIRE BUCKETS SHALL BE PROVIDED AT SITE.
- LEVEL OF THE RETAIL OUTLET WILL BE KEPT 3.07% BELOW ROAD LEVEL.
- KERB WALL ATLEAST 225MM HIGH WOULD BE CONSTRUCTED ON THE PERIPHERY OF THE BUFFER STRIP.

- CERTIFIED THAT THE BUFFER SHALL NOT HAVE ANY INSTALLATION i.e. U/G TANKS ETC.
- CERTIFIED THAT THE KERBING ALONG BUFFER IS TO BE MADE BY THE CORPORATION.
- CERTIFIED THAT THE METALLING OF BERM AT THE COST OF COMPANY IS TO BE PROVIDED.
- CERTIFIED THAT THERE WILL NOT BE ANY HINDERANCE FROM OVER HEAD LINES/POLES.
- CERTIFIED THAT THE SURPLUS WATER WILL NOT BE DISPOSED OF IN P.W.D. LAND.
- CERTIFIED THAT ALL CLEARANCE/APPROVALS FROM M.O.P/I.R.C. AND OTHER RELEVANT GOVT. DEPARTMENT HAVE ALREADY BEEN OBTAINED.
- CERTIFIED THAT THERE IS NO COURT CASE PENDING IN ANY COURT OF INDIA AGAINST THIS PREMISES.
- STEEL TANKS FABRICATED AS PER DRG. APPD. BY CCOE NAGPUR VIDE HIS LETTER NO. P6 (5) 82 DT. 7-8-01 TO BE USED OR STORAGE. IS SPECIFICATION NO. IS 10987 TO BE FOLLOWED FOR INSTALLATION OF TANKS.
- CERTIFIED THAT THIS IS NOT A RESITEMENT CASE.
- CERTIFIED THAT CANOPY MEASURING AREA 221.00SQ.M CONFORMS TO SOUND ENGINEERING SPECIFICATIONS AND THERE IS NO CHANCES OF ITS EVER CAVING IN UNDER NORMAL CIRCUMSTANCES.
- CERTIFIED THAT THE ROAD/HIGHWAY IS STRAIGHT AT THE LOCATION OF THE RETAIL OUTLET.

- BOTH TANKS SHALL NOT BE REPLENISHED AT ONE TIME.
- PUMP ISLAND AS PER DRG. NO. 3012 APPROVED BY CCOE NAGPUR VIDE HIS LETTER NO. 12(1).
- 2 NOS. 9KG. FIRE EXTINGUISHERS SHALL BE PROVIDED.
- 2 SAND BUCKETS PER PUMP WILL BE PROVIDED.



AREA OF APPROACHES (TO BE LEASED)	
1. AREA OF 2A	= 2X9.00X5.56 = 100.08SQ.M.
2. AREA OF 2B	= 2(1/2X5.00X5.00) = 20.38SQ.M.
TOTAL	= 120.46SQ.M.

AREA DETAILS:-	
TOTAL PLOT AREA	:1312.50SQ.M
AREA UNDER BUILDING	:29.65SQ.M(2.26%)
AREA UNDER CANOPY	:221.00SQ.M(16.83%)
TOTAL AREA UNDER BUILDING & CANOPY	:250.65SQ.M(19.09%)

DRAWN BY :	
DWG. NO. :	TCS/BPCL/SAN/2203
DATE :	

LIC. NO.	
BHARAT PETROLEUM CORPN. LTD.	
SUBJECT : LAYOUT PLAN OF FILLING STATION	
LAYOUT & SITE PLAN OF PROPOSED RETAIL OUTLET AT JODHAN, ON LUDHIANA - RAIKOT ROAD, TEHSIL & DISTT. LUDHIANA. PINCODE 142029	
DATE :	DRG. NO. :
NOS. CROSSED OUT ARE SUPERSEDED SHEETS	
CHECKED BY :	
THE CYBER SPACE Plot No. 2, 1st floor, Saral Sudhu Ram, G.T. Road, Pathiana Chowk, Amritsar. Contact No. -91987618744	

BUILDING DETAILS		
Sr. No.	TYPE	SIZE
1	SALES ROOM	2.625X2.805M
2	AUTOMATION	1.20X0.75M
3	CASH ROOM	1.31X1.80M
4	WATER COOLER	1.31X0.865M
5	LADIES TOILET	1.20X1.80M
6	GENTS TOILET	1.80X1.20M
7	ELEC./PANEL RM.	1.80X1.20M
8	LUBE STORE	1.80X2.245M